



Parts Reference Guide

~ Educational Percussion Kits ~



- MK32P** MAPEX BACKPACK PERCUSSION KIT
- MK32PC** MAPEX BACKPACK PERCUSSION KIT WITH CART
- MK14D** MAPEX BACKPACK SNARE DRUM KIT
- MK14DC** MAPEX BACKPACK SNARE DRUM KIT WITH CART
- MK1432DP** MAPEX BACKPACK SNARE DRUM/BELL PERCUSSION KIT

Specifications are subject to change without notice

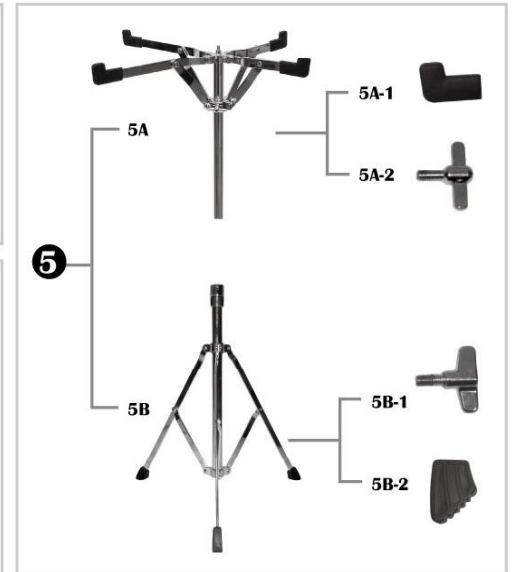
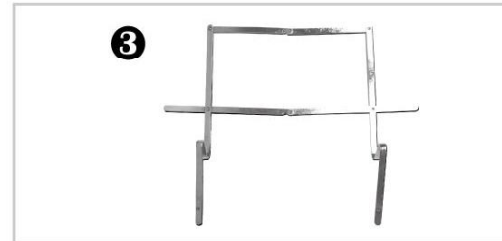
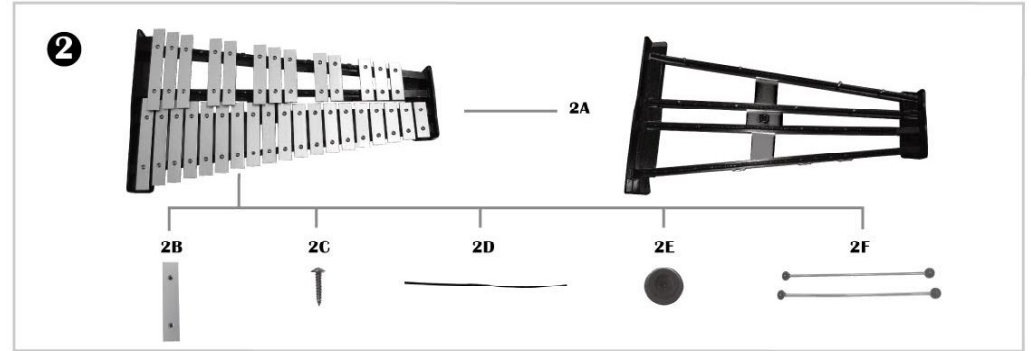
MAPEX BACKPACK PERCUSSION KIT



MK32P



REF NO.	PART NO.	DESCRIPTION
1	GBG032H40MP	Backpack Carrying Case
1A	GB90-887	Shoulder Strap for Carrying Case
2	DCGL32H20-MP	32-Note Keyboard
2A	GL32P-147A	Keyboard Frame
2B	MYAP10310	Aluminum Tone Bar-A3
	MYAP10315	Aluminum Tone Bar-A3#-B3b
	MYAP10410	Aluminum Tone Bar-A4
	MYAP10415	Aluminum Tone Bar-A4#-B3b
	MYAP10510	Aluminum Tone Bar-A5
	MYAP10515	Aluminum Tone Bar-A5#-B5b
	MYAP20310	Aluminum Tone Bar-B3
	MYAP20410	Aluminum Tone Bar-R4
	MYAP20510	Aluminum Tone Bar-B5
	MYAP30410	Aluminum Tone Bar-C4
	MYAP30415	Aluminum Tone Bar-C4#-D4b
	MYAP30510	Aluminum Tone Bar-C5
	MYAP30515	Aluminum Tone Bar-C5#-D5b
	MYAP30610	Aluminum Tone Bar-C6
	MYAP40410	Aluminum Tone Bar-D4
	MYAP40415	Aluminum Tone Bar-D4#-E4b
	MYAP40510	Aluminum Tone Bar-D5
	MYAP40515	Aluminum Tone Bar-D5#-E5b
	MYAP50410	Aluminum Tone Bar-E4
	MYAP50510	Aluminum Tone Bar-E5
	MYAP60310	Aluminum Tone Bar-F3
	MYAP60315	Aluminum Tone Bar-F3#-G3b
	MYAP60410	Aluminum Tone Bar-F4
	MYAP60415	Aluminum Tone Bar-F4#-G4b
	MYAP60510	Aluminum Tone Bar-F5
	MYAP60515	Aluminum Tone Bar-F5#-G5b
	MYAP70310	Aluminum Tone Bar-G3
	MYAP70315	Aluminum Tone Bar-G3#-A3b
	MYAP70410	Aluminum Tone Bar-G4
	MYAP70415	Aluminum Tone Bar-G4#-A4b
	MYAP70510	Aluminum Tone Bar-G5
	MYAP70515	Aluminum Tone Bar-G5#-A5b
2C	SRY0300080W	Screw
2D	GB30-156	Felt Strip
2E	G012-046	Rubber Cushion
2F	SPM-0414	Mallet
3	MSR-103	Music Rack
4	DCPPA08-MP	8" Tunable Practice Pad
4A	0246-108BT-MP	Replacement Practice Pad Head
4B	E006-265	Rubber Cushion for Practice Pad
5	DCGS120-MP	Dual Purpose Stand
5A	G120-075A	Stand-Upper Section
5A-1	GLS-105	Rubber Sleeve
5A-2	ST060012035	Die Cast Wing Screw
5B	G120-050A	Stand-Lower Section
5B-1	JZ0800170A	Die Cast Wing Screw
5B-2	3108-045	Rubber Feet
6	ESW-0005AMP	Drumsticks
7	19001GL32H	Note Name Stickers



7

Do not apply unless specifically instructed to do so by your music teacher.

A	B	C	D	E	F
A	B	C	D	E	F
A	B	C	D	E	F
G	F [♯] G [♯]	G [♯] A [♯]	A [♯] B [♯]	C [♯] D [♯]	D [♯] E [♯]
G	F [♯] G [♯]	G [♯] A [♯]	A [♯] B [♯]	C [♯] D [♯]	D [♯] E [♯]
C	F [♯] G [♯]	C [♯] A [♯]	A [♯] B [♯]	C [♯] D [♯]	D [♯] E [♯]

1. To remove the sticker from the backing, bend sticker at slit & peel.
 2. Clean surface thoroughly & put sticker on bars as shown below.
 Accidental (top):
 F# - G# - A# - C# - D# - F# - G# - A# - C# - D# - F# - G# - A#
 Naturals (bottom): F-G-A-B-C-D-E-F-G-A-B-C

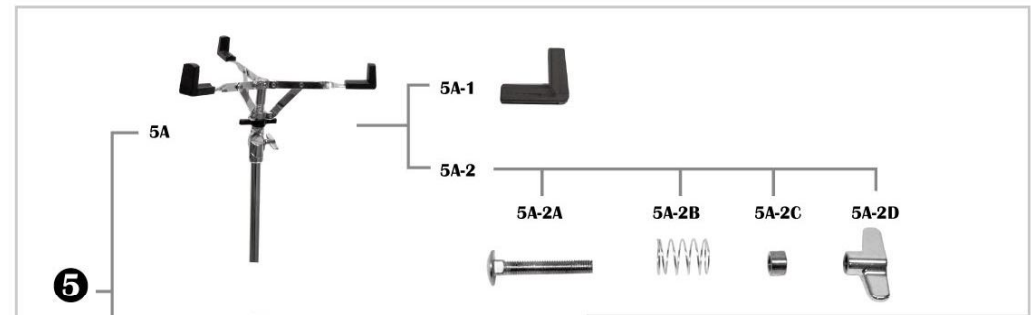
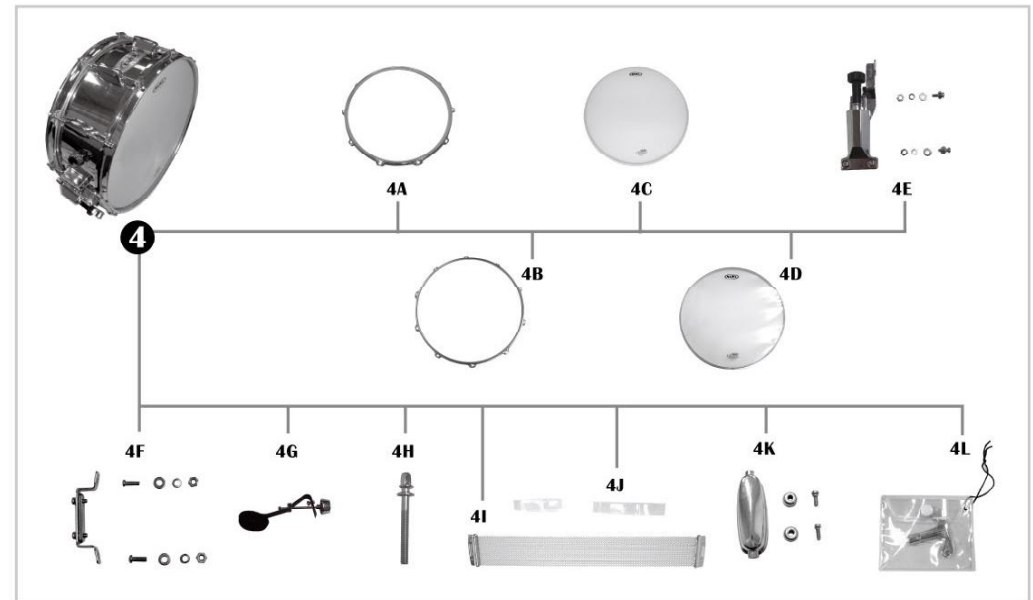
MAPEX BACKPACK SNARE DRUM KIT



MK14D



REF NO.	PART NO.	DESCRIPTION
1	EBG145502MP	Backpack Carrying Case
1A	GB90-887	Shoulder Strap for Carrying Case
2	EPP-010M	Practice Pad
3	FSW-0005AMP	Drumsticks
4	DCSN1455P-M20-MP	Snare Drum
4A	0101-1410	Drum Hoop-Batter Side
4B	0101-14101	Drum Hoop-Snare Side
4C	0246-114BT-MP	Drumhead-Batter Side
4D	0246-314SS-MP	Drumhead-Snare Side
4E	0601-1520A	Snare Strainer Assy.-Release Side
4F	0601-1620A	Snare Strainer Assy.-Butt Side
4G	0501A	Muffler
4H	SFM0550450H	Tension Rod w/ Washer
4I	17307850	Snappy Snare
4J	0601-851	Snare Strap
4K	0702P	Lug Casting
4L	KZWA058A	Drum Key
5	DCSS1120-MP	Snare Stand
5A	DCSS1120B	Snare Stand-Upper Section
5A-1	1114-105	Rubber Sleeve
5A-2	1224-1010A	Die Cast Wing Nut, Bolt & Spring Assy. Complete
5A-2A	SG0800500	Bolt
5A-2B	1202-090	Spring
5A-2C	1206-020	Metal Ring Connector
5A-2D	NZ080024044	Wing Nut
5B	1120-050A	Snare Stand-Lower Section
5B-1	JZ0800170A	Die Cast Wing Screw
5B-2	3108-045	Rubber Feet
6	19001GL32H	Note Name Stickers



6

Do not apply unless specifically instructed to do so by your music teacher.

A	B	C	D	E	F
A	B	C	D	E	F
A	B	C	D	E	F
G	F [♯] /G [♭]	G [♯] /A [♭]	A [♯] /B [♭]	C [♯] /D [♭]	D [♯] /E [♭]
G	F [♯] /G [♭]	G [♯] /A [♭]	A [♯] /B [♭]	C [♯] /D [♭]	D [♯] /E [♭]
G	F [♯] /G [♭]	G [♯] /A [♭]	A [♯] /B [♭]	C [♯] /D [♭]	D [♯] /E [♭]

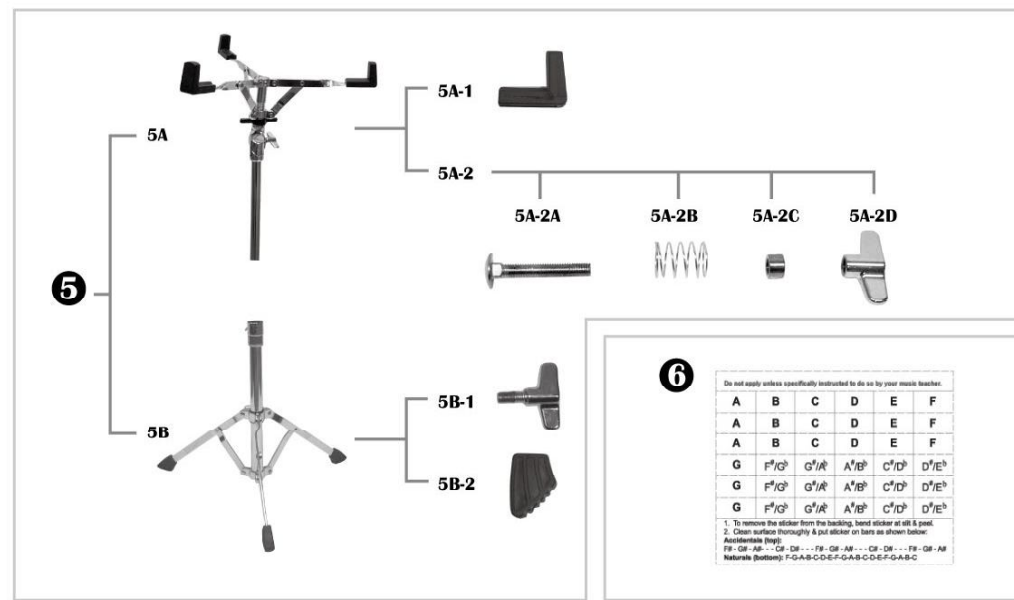
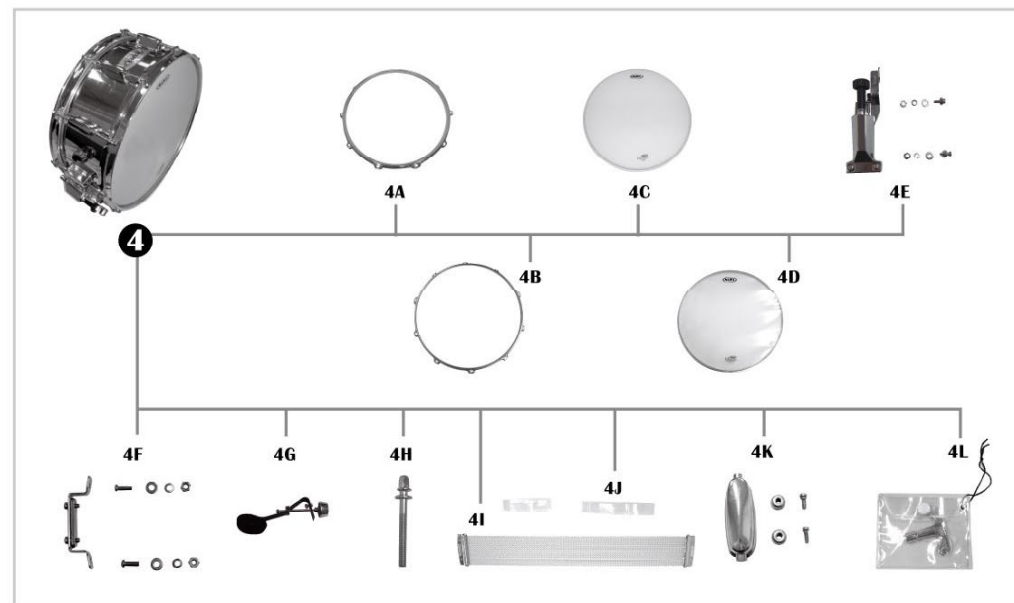
1. To remove the sticker from the backing, bend sticker at slit & peel.
 2. Clean surface thoroughly & post sticker on lines as shown below.
 Ascendente (top): F#-G#-A#-B#-C#-D#-E#-F#-G#-A#-B#-C#-D#-E#-F#-G#-A#
 Naturale (bottom): F-G-A-B-C-D-E-F-G-A-B-C-D-E-F-G-A-B-C

MAPEX BACKPACK SNARE DRUM KIT W/CART



MK14DC

REF NO.	PART NO.	DESCRIPTION
1	EBG145502MP-969	Rolling Bag
2	EPP-010M	Practice Pad
3	ESW-0005AMP	Drumsticks
4	DCSN1455P-M20-MP	Snare Drum
4A	0101-1410	Drum Hoop-Batter Side
4B	0101-14101	Drum Hoop-Snare Side
4C	0246-114BT-MP	Drumhead-Batter Side
4D	0246-314SS-MP	Drumhead-Snare Side
4E	0601-1520A	Snare Strainer Assy.-Release Side
4F	0601-1620A	Snare Strainer Assy.-Butt Side
4G	0501A	Muffler
4H	SFM0550450H	Tension Rod w/ Washer
4I	17307850	Snappy Snare
4J	0601-851	Snare Strap
4K	0702P	Lug Casting
4L	KZWA058A	Drum Key
5	DCSS1120-MP	Snare Stand
5A	DCSS1120B	Snare Stand-Upper Section
5A-1	1114-105	Rubber Sleeve
5A-2	1224-1010A	Die Cast Wing Nut, Bolt & Spring Assy. Complete
5A-2A	SG0800500	Bolt
5A-2B	1202-090	Spring
5A-2C	1206-020	Metal Ring Connector
5A-2D	NZ080024044	Wing Nut
5B	1120-050A	Snare Stand-Lower Section
5B-1	JZ0800170A	Die Cast Wing Screw
5B-2	3108-045	Rubber Feet
6	19001GL32H	Note Name Stickers



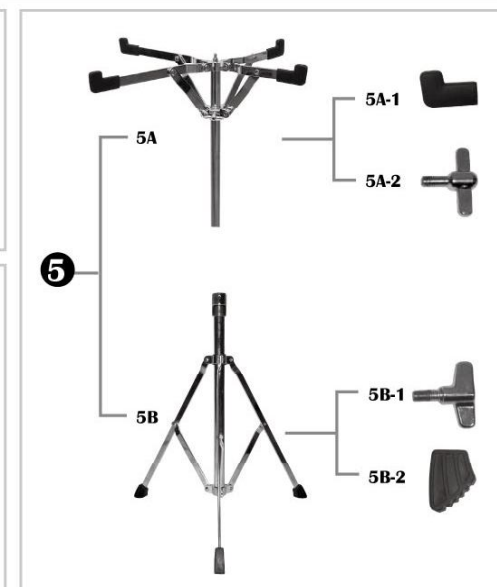
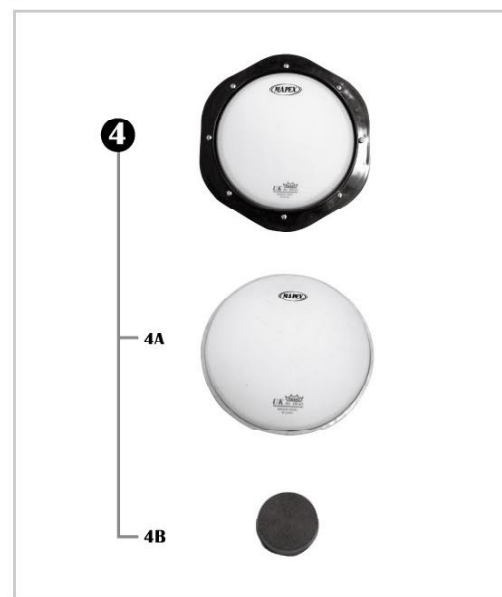
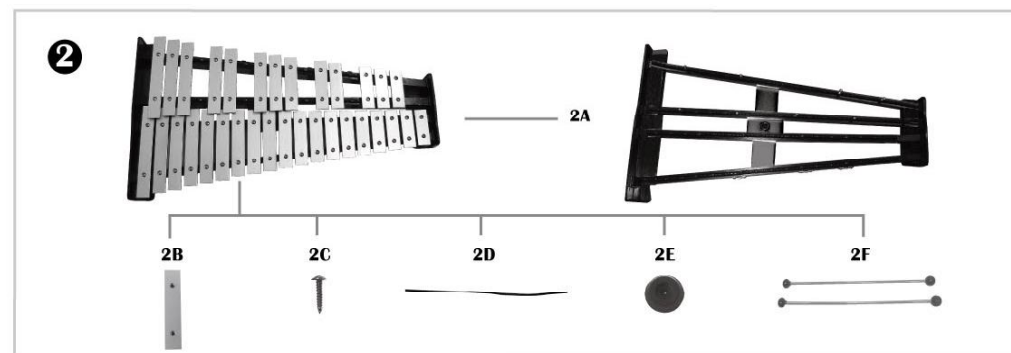
MAPEX BACKPACK SNARE DRUM/BELL PERCUSSION KITT



MK1432DP



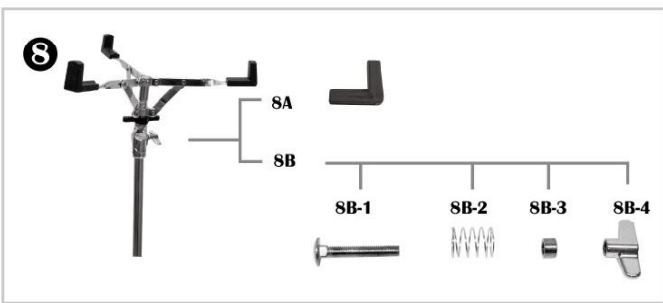
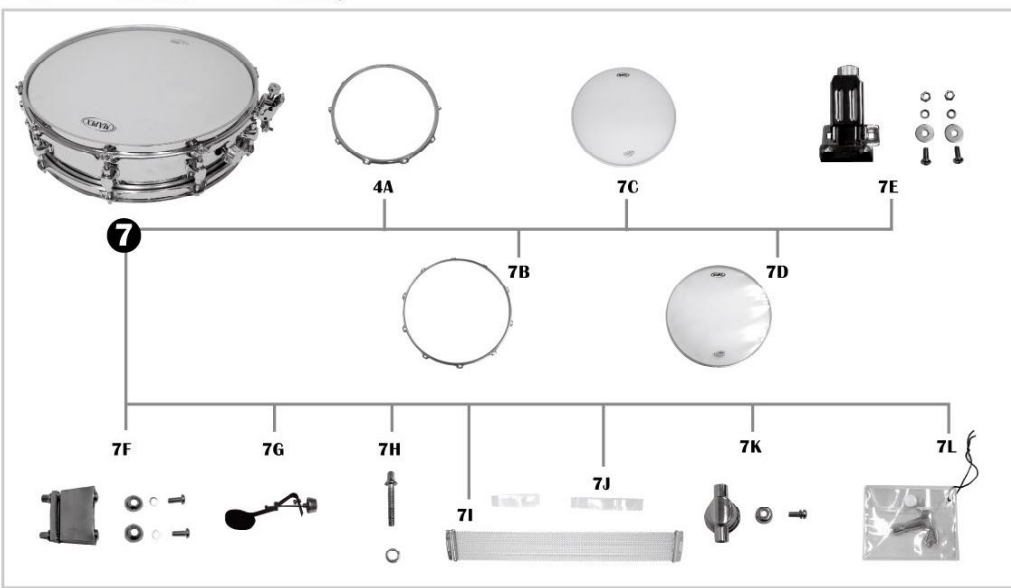
REF NO.	PART NO.	DESCRIPTION
1	GBG032H50MP-969	Rolling Bag
2	DCGL32H20-MP	32-Note Keyboard
2A	GL32P-147A	Keyboard Frame
2B	MYAP10310	Aluminum Tone Bar-A3
	MYAP10315	Aluminum Tone Bar-A3#-B3b
	MYAP10410	Aluminum Tone Bar-A4
	MYAP10415	Aluminum Tone Bar-A4#-B3b
	MYAP10510	Aluminum Tone Bar-A5
	MYAP10515	Aluminum Tone Bar-A5#-B5b
	MYAP20310	Aluminum Tone Bar-B3
	MYAP20410	Aluminum Tone Bar-B4
	MYAP20510	Aluminum Tone Bar-B5
	MYAP30410	Aluminum Tone Bar-C4
	MYAP30415	Aluminum Tone Bar-C4#-D4b
	MYAP30510	Aluminum Tone Bar-C5
	MYAP30515	Aluminum Tone Bar-C5#-D5b
	MYAP30610	Aluminum Tone Bar-C6
	MYAP40410	Aluminum Tone Bar-D4
	MYAP40415	Aluminum Tone Bar-D4#-E4b
	MYAP40510	Aluminum Tone Bar-D5
	MYAP40515	Aluminum Tone Bar-D5#-E5b
	MYAP50410	Aluminum Tone Bar-E4
	MYAP50510	Aluminum Tone Bar-E5
	MYAP60310	Aluminum Tone Bar-F3
	MYAP60315	Aluminum Tone Bar-F3#-G3b
	MYAP60410	Aluminum Tone Bar-F4
	MYAP60415	Aluminum Tone Bar-F4#-G4b
	MYAP60510	Aluminum Tone Bar-F5
	MYAP60515	Aluminum Tone Bar-F5#-G5b
	MYAP70310	Aluminum Tone Bar-G3
	MYAP70315	Aluminum Tone Bar-G3#-A3b
	MYAP70410	Aluminum Tone Bar-G4
	MYAP70415	Aluminum Tone Bar-G4#-A4b
	MYAP70510	Aluminum Tone Bar-G5
	MYAP70515	Aluminum Tone Bar-G5#-A5b
2C	SRY0300080W	Screw
2D	GB30-156	Felt Strip
2E	G012-046	Rubber Cushion
2F	SPM-0414	Mallet
3	MSR-103	Music Rack
4	DCPPA08-MP	8" Tunable Practice Pad
4A	0246-108BT-MP	Replacement Paractice Pad Head
4B	E006-265	Rubber Cushion for Practice Pad
5	DCGS120-MP	Dual Purpose Stand
5A	G120-075A	Stand-Upper Section
5A-1	GLS-105	Rubber Sleeve
5A-2	ST060012035	Die Cast Wing Screw
5B	G120-050A	Stand-Lower Section
5B-1	JZ0800170A	Die Cast Wing Screw
5B-2	3108-045	Rubber Feet
6	ESW-0005AMP	Drumsticks



MAPEX BACKPACK SNARE DRUM/BELL PERCUSSION KIT



REF NO.	PART NO.	DESCRIPTION	REF NO.	PART NO.	DESCRIPTION
7	DCSN1435Q-M26-MP	Snare Drum	8	SS1120B	Stand-Upper Section for Drum
7A	0101-1410	Drum Hoop-Batter Side	8A	1114-105	Rubber Sleeve
7B	0101-14101	Drum Hoop-Snare Side	8B	1224-1010A	Die Cast Wing Nut, Bolt & Spring Assy. Complete
7C	0246-114BT-MP	Drumhead-Batter Side	8B-1	SG0800500	Bolt
7D	0246-314SS-MP	Drumhead-Snare Side	8B-2	1202-090	Spring
7E	0636-1560A	Snare Strainer Assy.-Release Side	8B-3	1206-020	Metal Ring Connector
7F	0636-1660A	Snare Strainer Assy.-Butt Side	8B-4	NZ080022044	Wing Nut
7G	0501A	Muffler	9	19001GL32H	Note Name Stickers
7H	SF0550300HA	Tension Rod w/ Washer			
7I	17307850	Snappy Snare			
7J	0601-851	Snare Strap			
7K	0713Q	Lug Casting			
7L	KZWA058A	Drum Key			



9

Do not apply unless specifically instructed to do so by your music teacher.

A	B	C	D	E	F
A	B	C	D	E	F
A	B	C	D	E	F
G	F ¹ /G ²	G ¹ /A ²	A ¹ /B ²	C ¹ /D ²	D ¹ /E ²
G	F ¹ /G ²	G ¹ /A ²	A ¹ /B ²	C ¹ /D ²	D ¹ /E ²
G	F ¹ /G ²	G ¹ /A ²	A ¹ /B ²	C ¹ /D ²	D ¹ /E ²

1. To remove the sticker from the backing, bend sticker at 45° angle.
 2. Clean surface thoroughly & put sticker on back as shown below.
 Available (top):
 FF - CF - AF - ... CF - CF - ... FF - CF - AF - ... CF - AF - ... FF - CF - AF
 Natural (bottom): F-G-A-B-C-D-E-F-G-A-B-C-D-E-F-G-A-B-C